

## Design Criteria

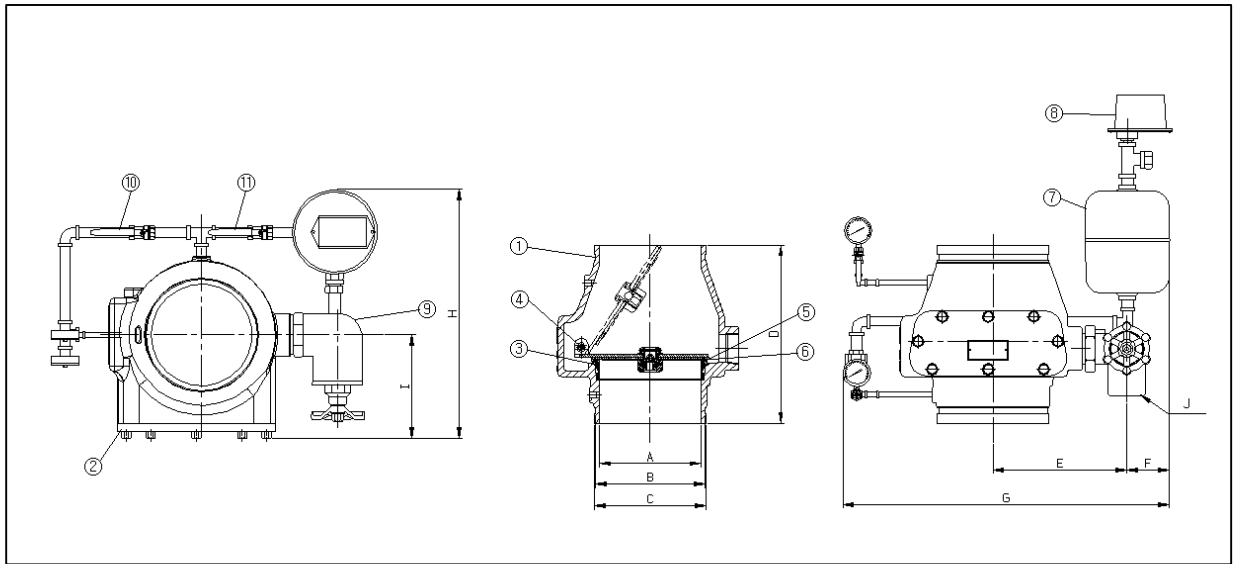


FIGURE 1. BASIC DIMENSIONS

	A	B	C	D	E	F	G	H	I	J
FAVB 200R	200	214	219	350	255	75	650	500	320	50A

## Part Lists

NO.	ITEM	MATERIAL	NO.	ITEM	MATERIAL
1	Body	Ductile Iron (8")	7	Retarding Chamber	SPCC/SPPS
2	Cover	Ductile Iron (8")	8	Pressure Switch	-
3	Seat Ring	Bronze	9	Drain Valve	Cast Iron/Brass
4	Disc & Arm	STS 304	10	Alarm Test Valve	Brass
5	Disc Seat	Viton	11	Alarm Shut-off Valve	Brass
6	Seat Cover	STS 304			