

Design Criteria

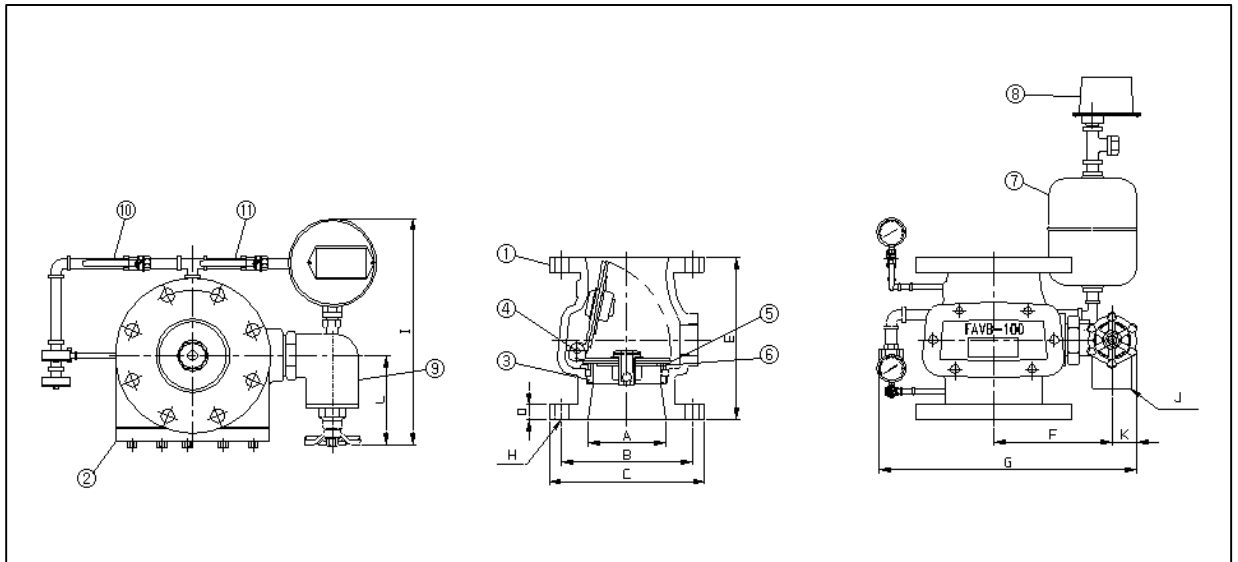


FIGURE 1. BASIC DIMENSIONS

	A	B	C	D	E	F	G	H	I	J	K	L
FAVB 100R	100	175	210	24	250	169	415	8-19D	376	50A	50	153
FAVB 100H	100	200	254	32	266	169	415	8-22D	376	50A	50	153
FAVB 150R	150	240	280	26	280	199	480	8-23D	391	50A	50	153
FAVB 150H	150	270	318	37	301	199	480	12-22D	391	50A	50	153
FAVB 200R	200	298	343	28.5	350	255	650	8-23D	500	50A	75	320

Part Lists

NO.	ITEM	MATERIAL	NO.	ITEM	MATERIAL
1	Body	Cast Iron (4",6") Ductile Iron (4", 4"H, 6", 6"H, 8")	7	Retarding Chamber	SPCC/SPPS
2	Cover	Cast Iron (4",6") Ductile Iron (4", 4"H, 6", 6"H, 8")	8	Pressure Switch	-
3	Seat Ring	Bronze	9	Drain Valve	Cast Iron/Brass Ductile Iron/Brass
4	Disc & Arm	STS 304	10	Alarm Test Valve	Brass
5	Disc Seat	Viton(4", 6") EPDM(4"H, 6"H, 8")	11	Alarm Shut-off Valve	Brass
6	Seat Cover	STS 304			